

COPPER PIPE CONNECTION PACKAGE FOR INVISIBLE HEAT PUMP

„FAST-CONNECTION“

- Lower installation cost for your SPLIT heat pump.
- Use Microwell vacuumed and pre-filled Copper pipe connection set.
- You can choose Copper pipe set for particular Split heat pump model and your preferred distance from 5 meters up to 20 meters.
- Pipes come with hose-nut valve, pipes were vacuumed and come pre-filled with R32. This saves a lot of time and installation costs.
- You can buy your preferred length and thus save time and money.



-15°C **+40°C**
AMBIENT **WATER**

INVISIBLE SET UP SPLIT

Copper pipe set	Heat pump Model	Price netto, EXW Sala Slovakia, without palette					
		Small tube	Big Tube	5 meters	10 meters	15 meters	20 meters
FC1	HP 900/1100 BLACK HP 1100 GIP HP 1000 GREEN	1/4" 6.35mm	1/2" 12.70mm	270 €	320 €	360 €	410 €
FC2	HP 1500 BLACK HP1400/1700 GREEN HP1500/1700/2100 GIP	3/8" 9.53mm	5/8" 15.88mm	320 €	380 €	450 €	510 €
FC3	HP 2300/2800 INVENTOR HP 2400/300 PREMIUM HP 2700 GIP	3/8" 9.53mm	3/4" 19.05mm	330 €	400 €	480 €	560 €

Package includes Copper pipe connection set in specified length compatible with particular split heat pump model. No other refrigerant connection parts are needed to connect the split heat pump apart from this Copper pipe connection set.



Basic equipment:**Model:****Price EXW**
w/o VAT /EUR/

Rubber base installation block 400mm - black, carrying capacity 200 kg. Set includes 2pcs. Price is stated for 1pc /No. 6066/
Compatibility: HP1000-1400 GREEN, HP1100-1500 GREEN INVERTER Pro, HP 900/1100 BLACK

set

26.40

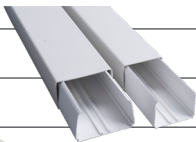

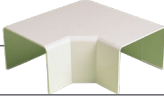

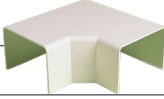






Rubber base installation block 600mm - black, carrying capacity 200 kg. Set includes 2pcs. Price is stated for 1pc /No. 6066/
Compatibility: HP1700-2100-2700 GREEN INVERTER Pro, HP2300-3000 INVERTER & PREMIUM, HP 1500 BLACK

set

34.80

Plastic slats ECO**Price EXW**
w/o VAT /EUR/

8000	S	Bar 80mm, lenght 2 m		m	6,36
8001	S	Inner corner 80 mm		pc	1,94
8002	S	Outer corner 80 mm		pc	1,94
8003	S	Corner flat 80 mm		pc	1,94
8004	S	T-piece 80 mm		pc	1,94
8005	S	Clutch 80 mm		pc	0,99
8006	S	Hood cover 80mm		pc	1,94
8007	S	End wall cover 80 mm		pc	1,94
8009	S	Rosette molding 80 mm		pc	1,94

Complete your installation with antivibration and antinoise rubber base blocks.

